



塔吊配件

CMAX TOWER CRANE SPARE PARTS

Mast Section



- Mast Sections of Tower Crane we can offer are as follows:
- COMANSA
- COMEDI
- TEREX
- WOLFF
- POTAIN(R/MD/K SERIES)

COMANSA MAST-SJ25



COMANSA MAST-SJ25



COMANSA MAST-SJ25



COMANSA MAST-SJ25





CMA^{MAX}
CNBM International Corporation

TEREX MAST -HD23





CMA^{MAX}
CNBM International Corporation

TEREX MAST -FIXING LEG





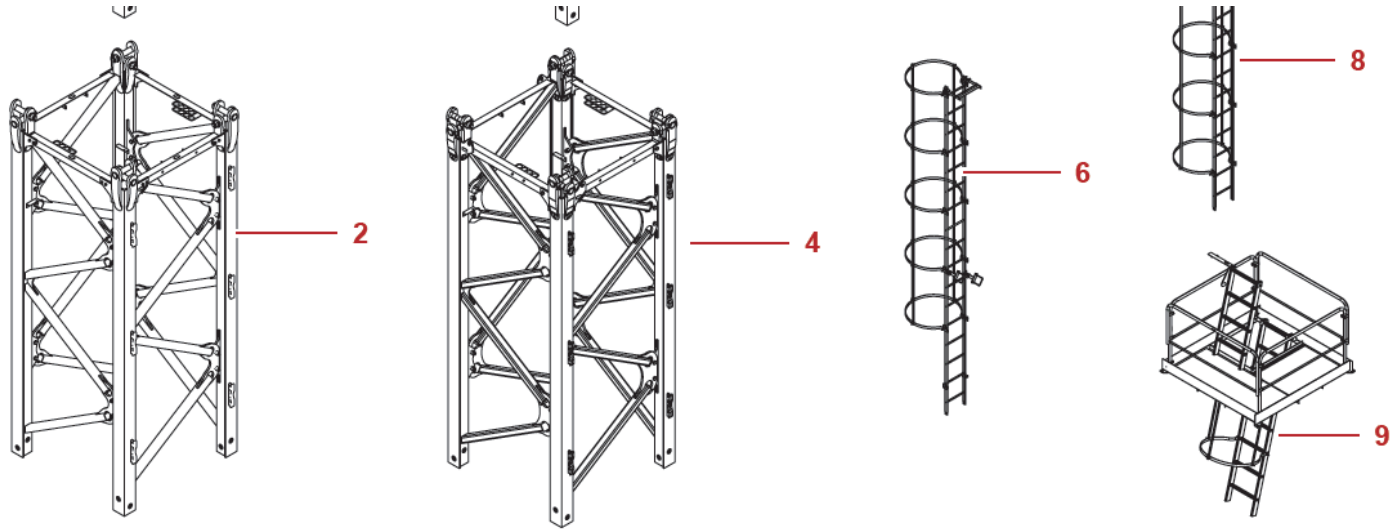
CMAX[®]
CNBM International Corporation

TEREX MAST -FIXING LEG





POTAIN MAST-M619

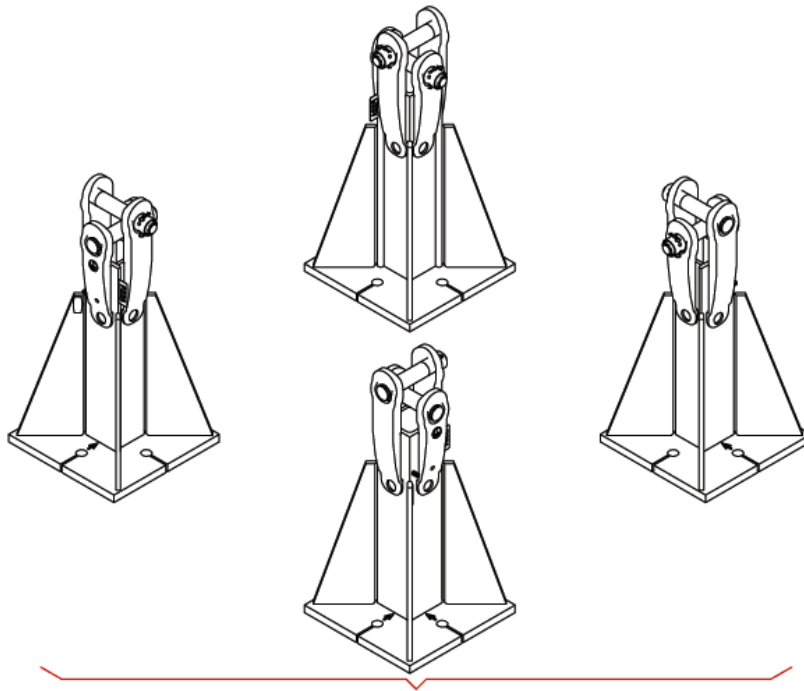




POTAIN FIXING ANGLES-M619



FIXING ANGLES





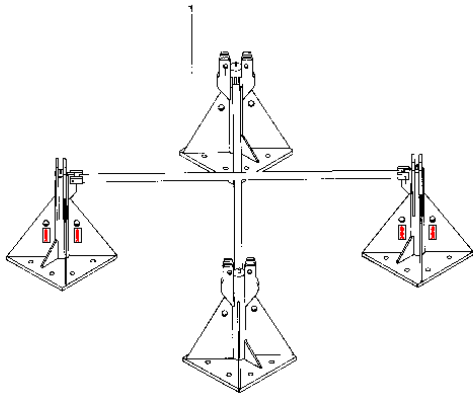
CMAX[®]
CNBM International Corporation

POTAIN FIXING ANGLE-M619





POTAIN FIXING ANGLE(R87-R76)



REP	REFERENCE	QTE	OML	PRE	SY	DESIGNATION	DESCRIPTION
	Q-15886-16	1				PIED SCCELL D149 P86A EQ	FOOT
1	53R-0100-045-0	1				PIEDO-SCCELLEMENT P86A	





CMA[®]X
CNBM International Corporation

POTAIN MAST(R87-R76)





CMA^{MAX}
CNBM International Corporation

POTAIN FIXING ANGLE(MD 2M)





CMAX[®]
CNBM International Corporation

POTAIN MAST

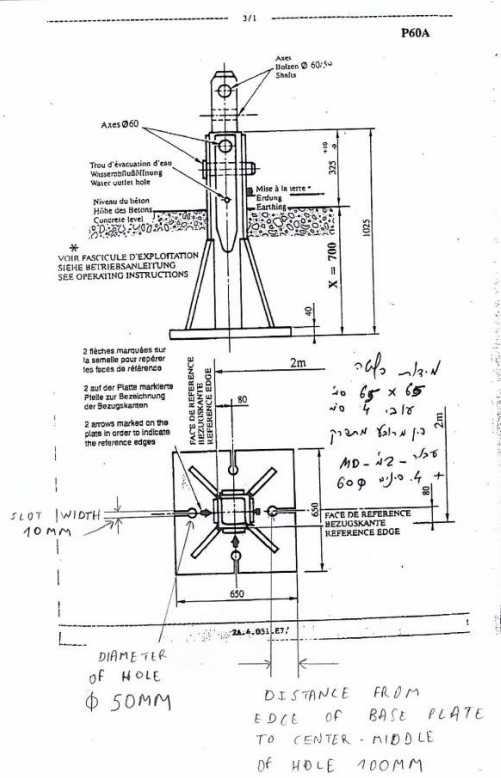




CMA[®]

CNBM International Corporation

POTAIN MAST(Fixing Leg)





CMA^{MAX}
CNBM International Corporation

POTAIN FIXING ANGLE(K407)

